



Keeping the World Flowing  
for Future Generations

## Direct Mount Chain Wheels

Direct Mount Chain Wheels mount directly onto the gearbox input shaft by means of a pin or coupling, and are suitable for use with every range in our product offering.

### Features

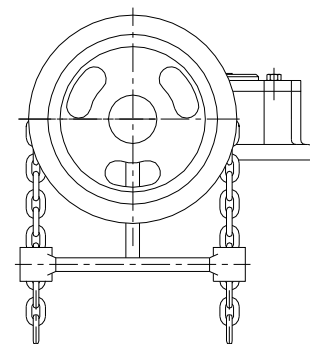
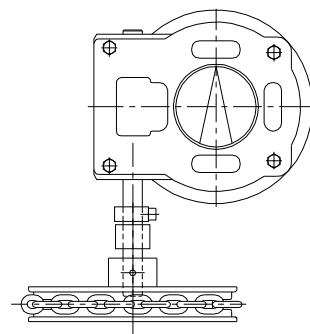
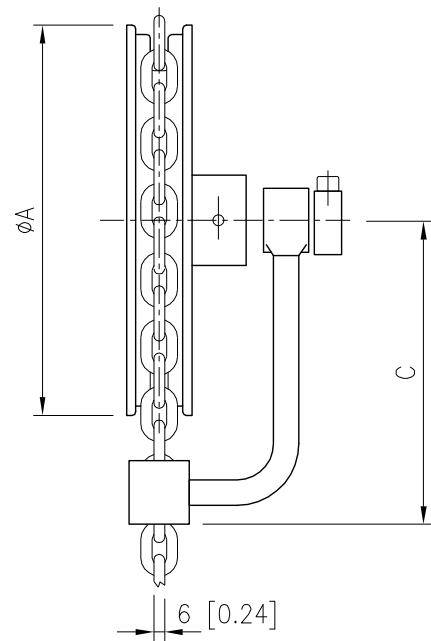
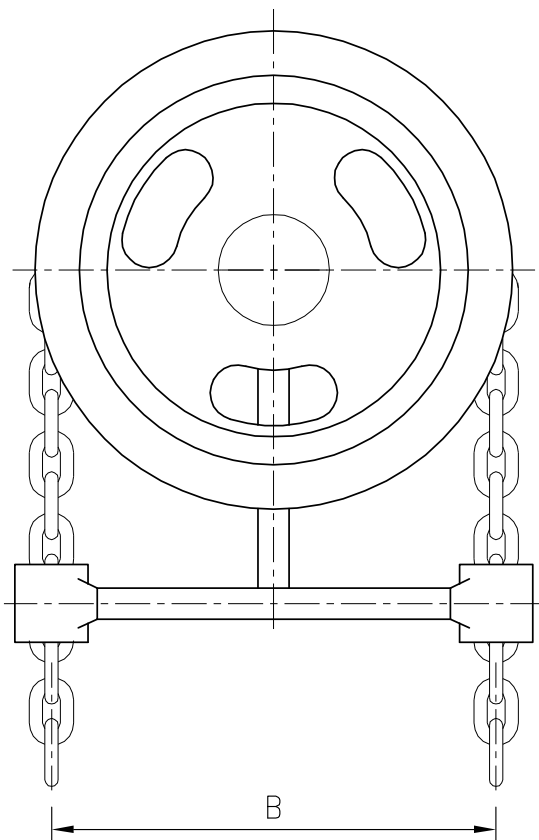
- Cast iron chain wheels from 135 to 330 mm diameter, larger sizes can be supplied
- Chain guides and bearing are standard
- Chain and chain wheel sprockets are to DIN 766
- Galvanized or stainless steel chain available
- Epoxy coating for durability available
- Direct mount on the input shaft
- Stainless steel couplings for mounting on AB gearboxes

### Options

- AISI316 chain wheel and chain
- Sheradisation protection
- Adaption design to suit application



# Direct Mount Chain Wheels



DIMENSIONS			
	WHEEL 135	WHEEL 215	WHEEL 335
A	135 (5.31)	220 (8.66)	330 (12.99)
B	120 (4.72)	185 (7.28)	306 (12.05)
C	147.5 (5.81)	167.5 (6.59)	217.5 (8.56)

For larger size Chain Wheels, please contact Rotork Gears.  
Dimensions in mm (inch).

The maximum advised RIM pull is 700N.

Chain Wheels are not suitable for gears with rated torque lower than 330 Nm.

Contact us now

mail@rotork.com

www.rotork.com

rotork®

PUB063-038-00

Issue 01/26